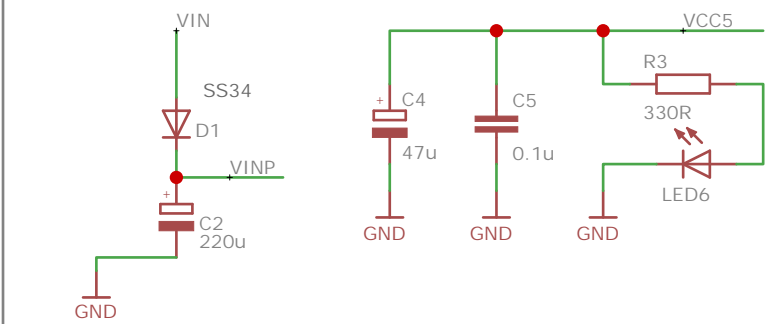
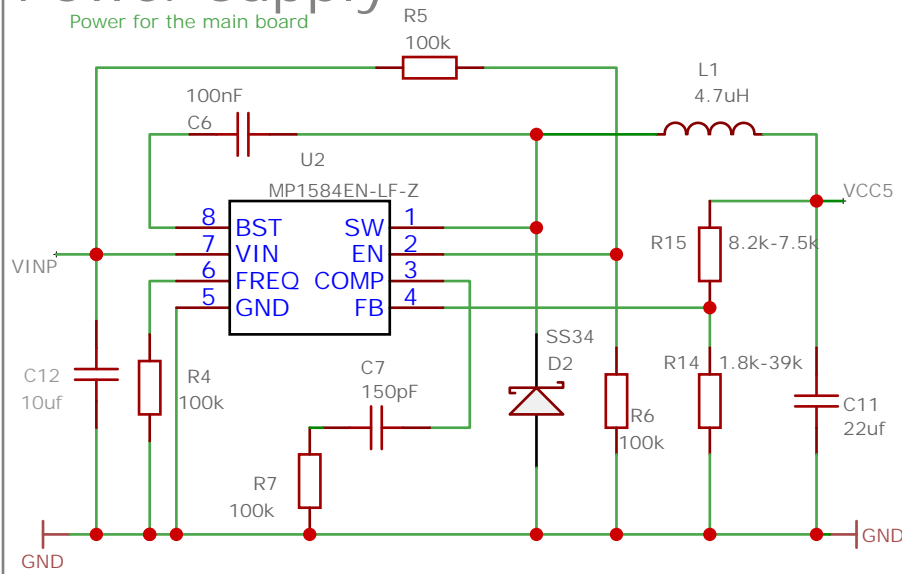
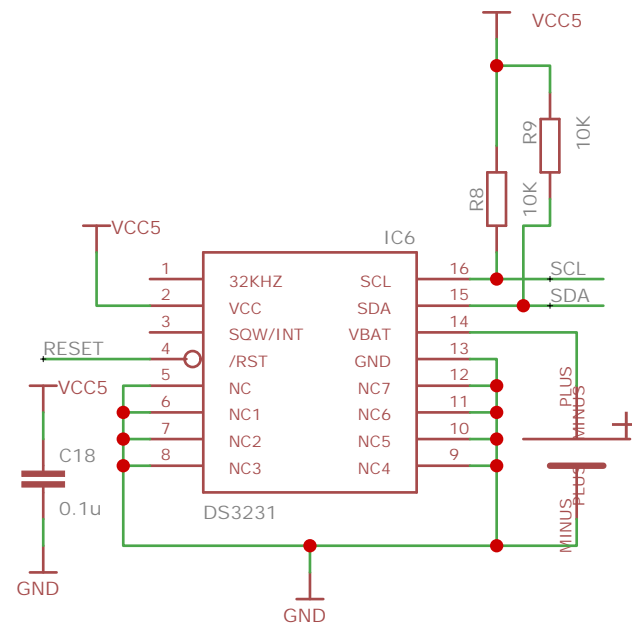


# Power supply

Power for the main board

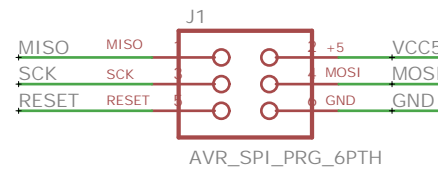


# Real time clock

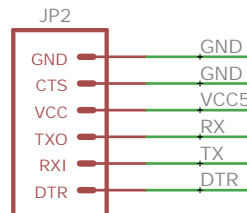


# LDR

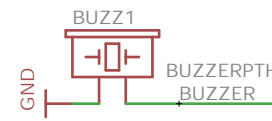
# ICSP



# UART

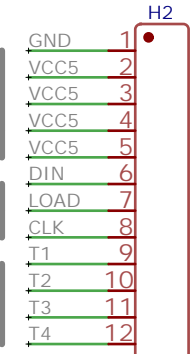


# Buzzer



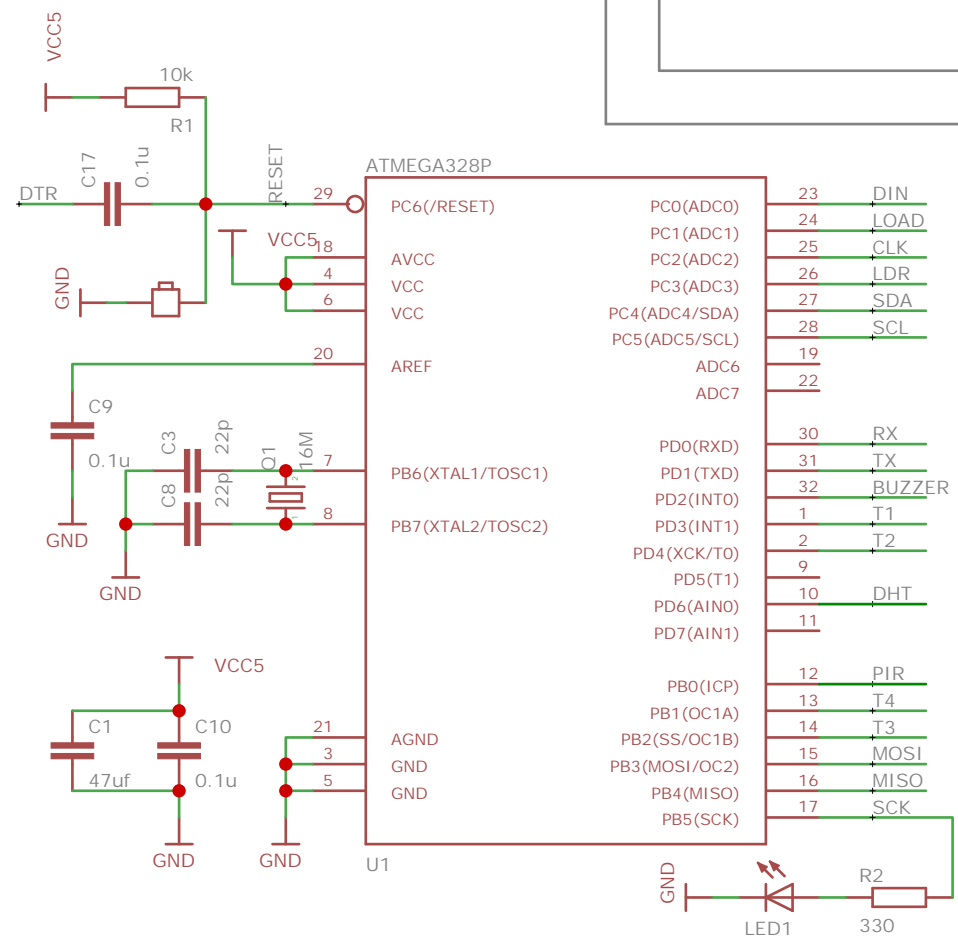
# Connector

Power lines for LED boards  
To chain of MAX7219's  
To four TTP223's



KH-2.54PH180-1X12P-L11.5

# Microcontroller



# HEADERS

